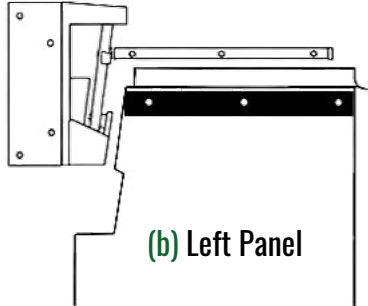


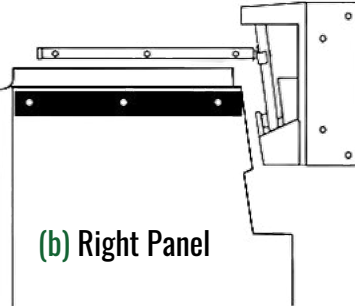
**HARDWARE INCLUDED**

- (a.) Hinge with Arm (b.) Door Panels (c.) Black-Jamb Strip (d.) Black Well Nut (8 ea.) (f.) 1/4-20 x 1 1/2" Bolt (8 ea.)  
(k.) 1/4-20 Acorn Nut (6 ea.) (j.) 1" Aluminum Face Plate (2 ea.) (h.) 1/4-20 x 5" Bolt (4 ea.)

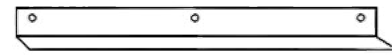
(a) Left Hinge With Arm



(a) Right Hinge With Arm



(c) Black-Jamb Strip



(d) Black Well Nut

(f) 1/4-20 x 1 1/2" Bolt

(k) 1/4-20 Acorn Nut

(j) 1" Aluminum Face Plate

(h) 1/4-20 x 5" Bolt

**INSTALLATION TOOLS (NOT INCLUDED):** Level, Pencil or Marker, Socket or Crescent Wrench, Phillips Screw Driver, Drill & 9/32 Drill Bit.

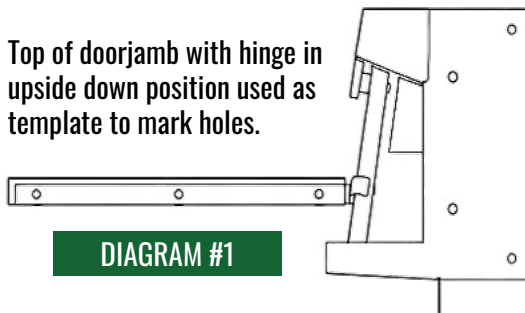
Note: USE HINGE UPSIDE DOWN FOR TEMPLATE ONLY TO MARK HOLES. PLACE HINGE IN UPRIGHT POSITION TO INSTALL.

Corner of door jamb (Side view)

Note: Before starting, check door jamb with level to make sure both sides are plumb. Make corrections if necessary.

To Install Hinges, Do The Following: See Diagrams # 1

Top of doorjamb with hinge in upside down position used as template to mark holes.



(A) Place right hinge in an upside down position, into the upper right corner of door jamb.

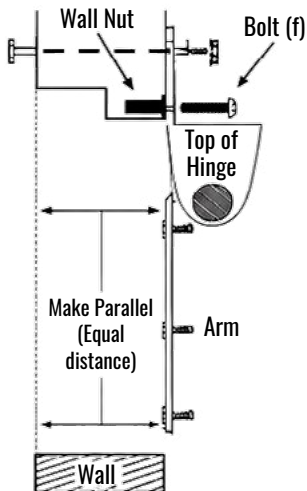
(B) Mark all 4 holes and remove hinge.

**i** CAREFULLY DRILL HOLES. To avoid hitting electrical wires, pierce only the sheet metal. DO NOT penetrate the styrofoam.

(C) Drill 2 holes closest to door jamb using a t/r drill drill bit. Drill second two holes using #7 drill bit for true hole.

(D) Insert 2 black well nuts into each 1/2" hole, until they are flush with wall.

**DIAGRAM #2**



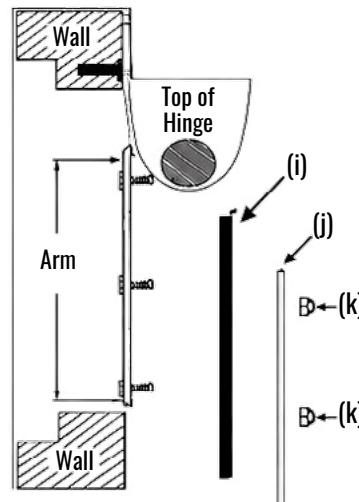
(E) Place hinge back up against wall in an upward (correct) position until holes are lined up.

(F) Insert 1/4-20 x 1 1/2" bolt into each well nut and fingertighten

(G) Secure all bolts.  
\*Repeat procedures (A) through (F) for other hinge.

(H) Insert 1/4-20 x 5" bolt with 1/4-20 x 1 1/4 Dia washer from outside then through the hole and hinge. Secure with the 1/4-20 kep nut.

**DIAGRAM #3**



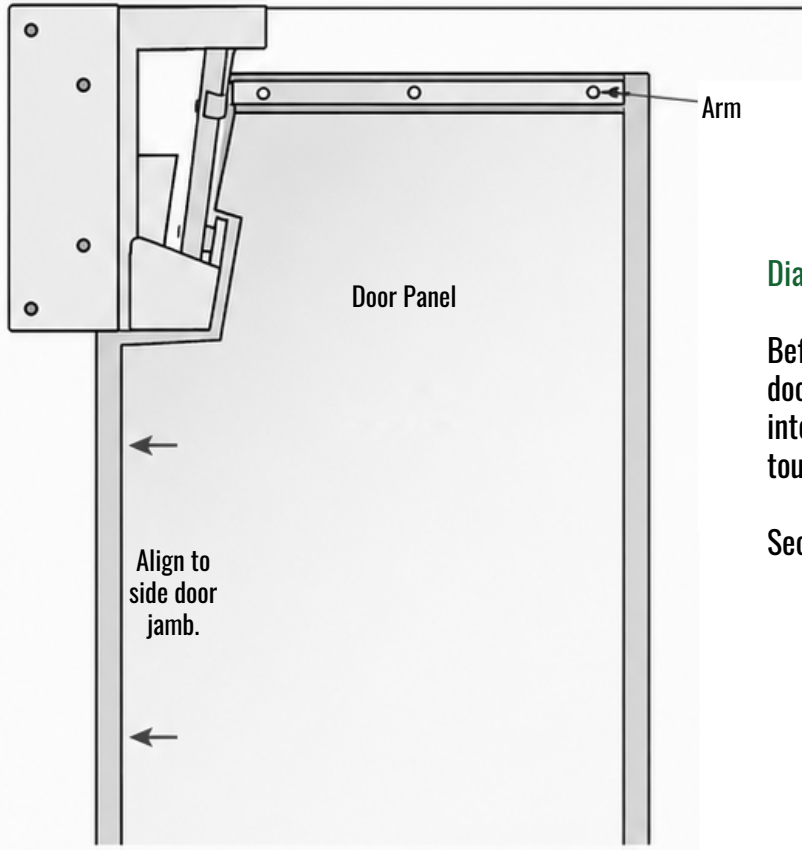
Attach parts to arm. In the following order.

(I) Poly vinyl door panel.

(J) 1/8" x 1" aluminum face plate.

(K) 1/4 - 20 acorn nuts and finger tighten.

**DIAGRAM #4**

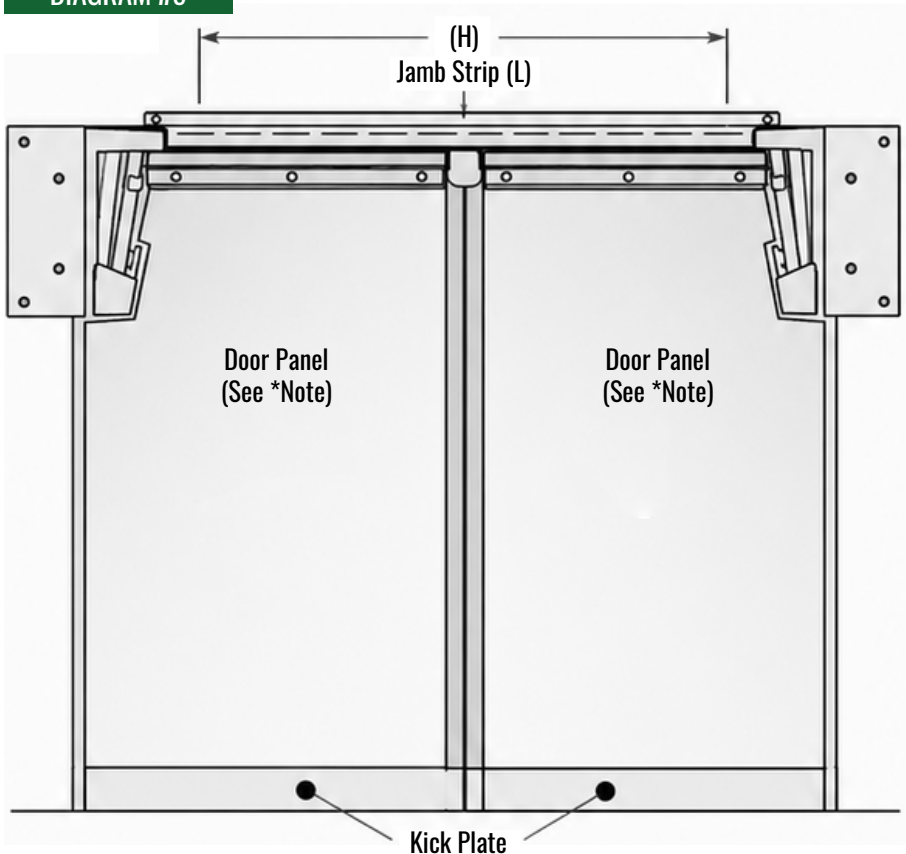


**Diagram #4**

Before securing, align door panel to side of door jamb by lifting panel slightly and adjust into position, so that door panel is barely touching side door jamb.

Secure all nuts and bolts.

**DIAGRAM #5**



**Diagram #5**

(L) Place 1 1/2" - black L shaped plastic jamb strip-on top of door jamb.

Adjust strip so that there is about 1/8" clearance between it and the top of the door panels.

(M) Mark holes.

- Using 5/32" drill bit, drill holes.
- Insert #8-32 x 1/2" screw into each hole and secure.
- Your door is now ready to be used.

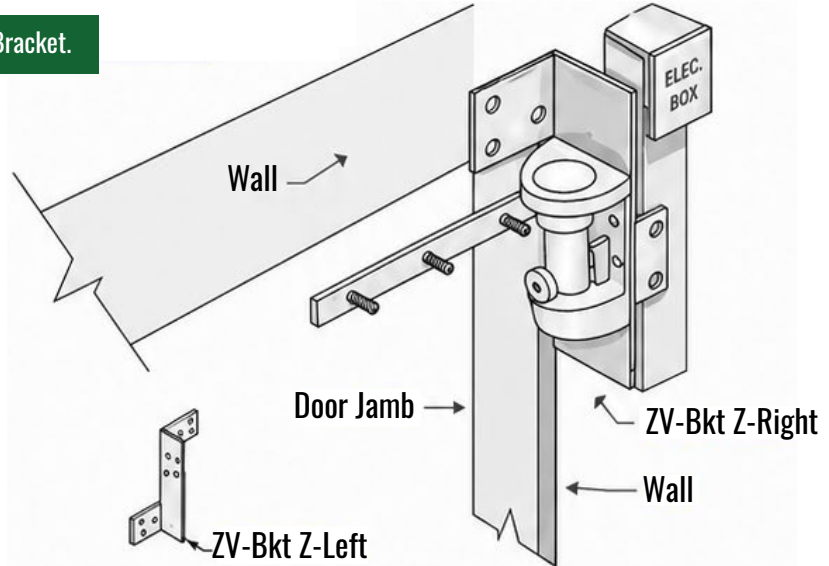
\*Note: If properly installed, doors will overlap in center for maximum sealing.

**INSTALLATION TOOLS (NOT INCLUDED):**

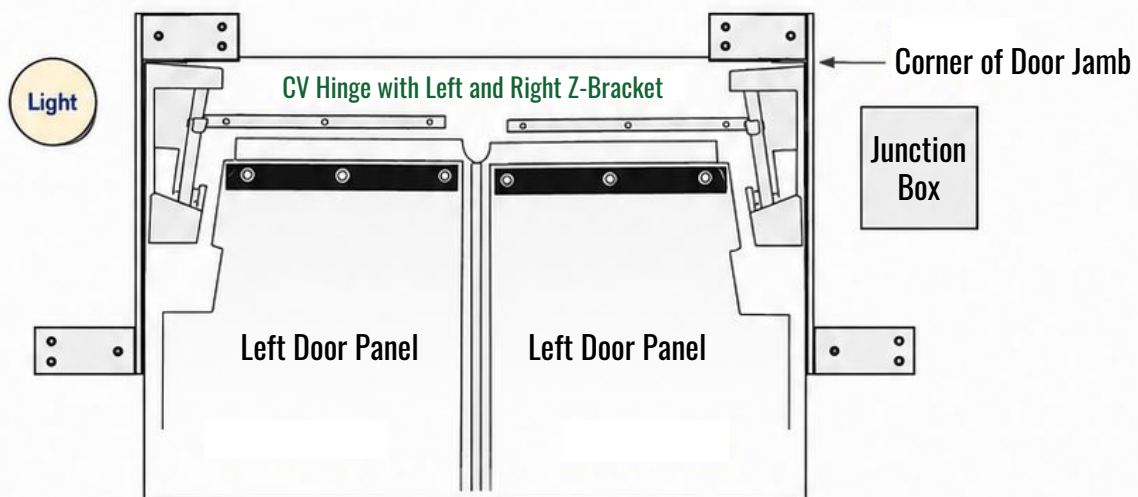
Level, Pencil or Marker, Socket or Crecent Wrench, Phillips Screw Driver

Drill and 9/32" Drill Bit.

This drawing represents a detailed view of the Z-Bracket.



This drawing represents view of the door *from inside* the cooler or freezer unit.



CV-“Z” Bracket Assembly can be provided for an additional charge of \$16 if specified on original order.

If your application requires a Z-Bracket and you have received a standard CV-Hinge it may be exchanged as follows:

- A charge of \$16 for the Z-Bracket (left or right, \*please specify) plus \$100 for the assembly, plus shipping and handling will apply.
- You will receive a \$100 Credit once the CV Hinge Assembly has been returned.
- The Net Cost for the exchange is \$16 plus shipping and handling.